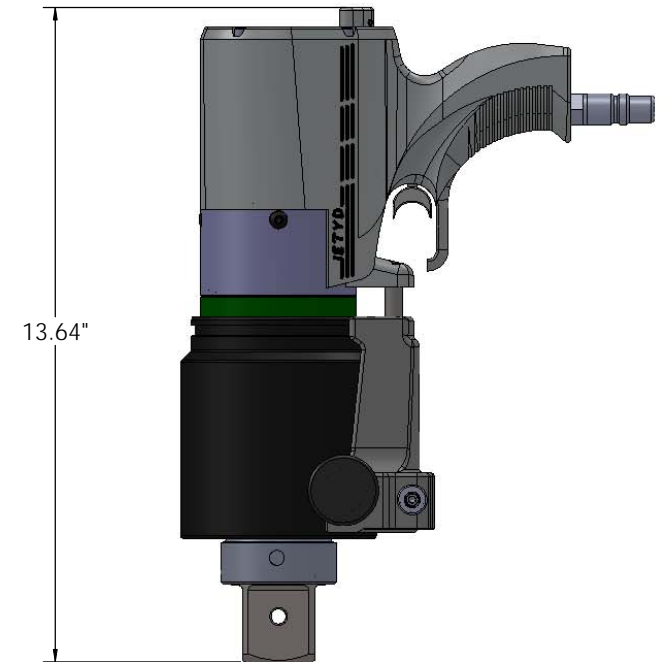
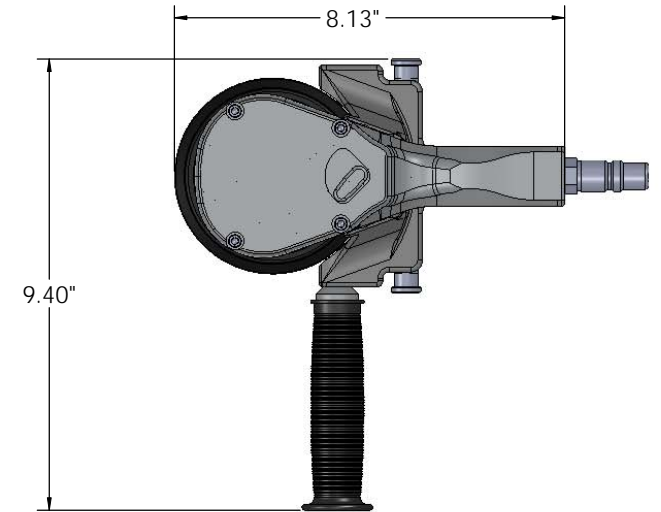
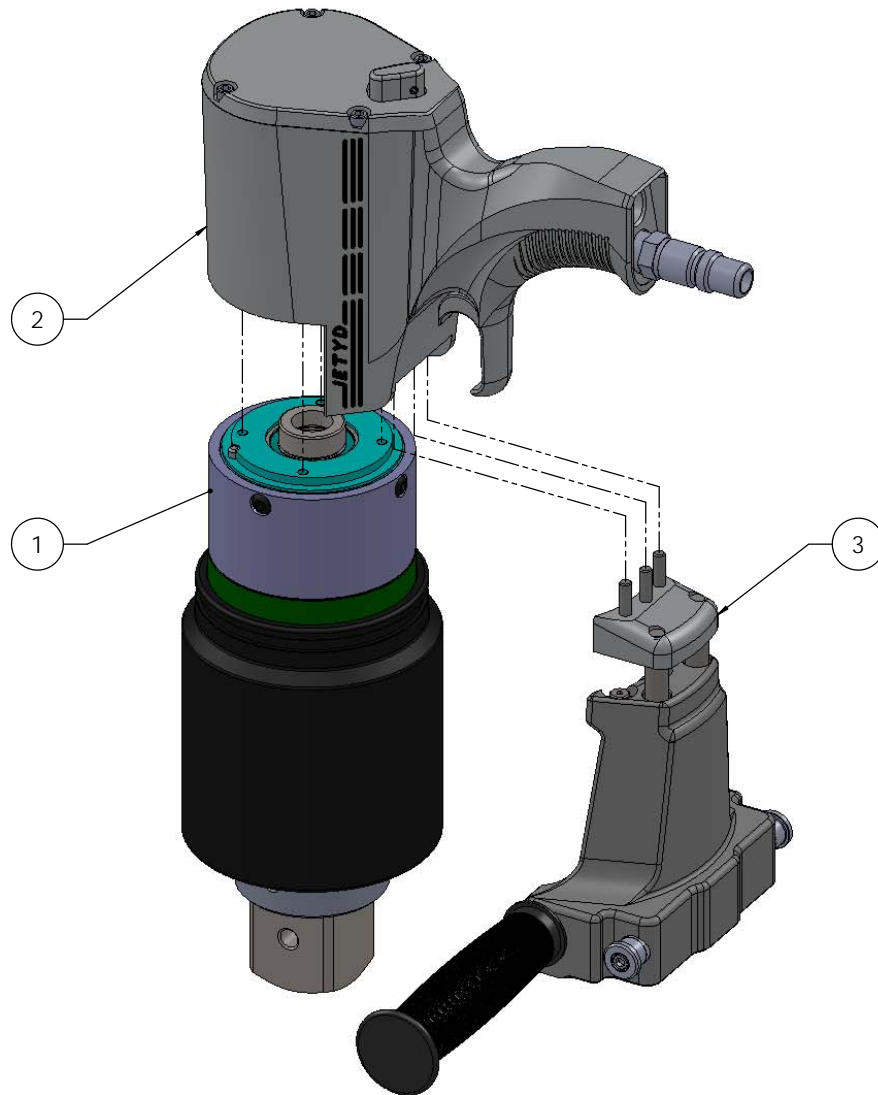


ITEM NO.	PART NUMBER	DESCRIPTION	QTY.
1	A000033	JGB-J5DS	1
2	A000118	HANDLE, J5DS CONFIGURATION	1
3	A000120	SHIFTER ASSY, J5DS	1

REVISIONS			
LTR	DESCRIPTION OR ECN No.	APP.	DATE
A	-	-	-
B	-	-	-
C	-	-	-



© COPYRIGHT 2010, THE TORC GUN COMPANY

TOLERANCE	MATERIAL	TITLE: JGUN-DSA5
xxx=±.005	-	ILLUSTRATED PARTS BREAKDOWN
.xx=±.010	-	
x/x=±1/64	-	
* = ±1"	-	
UNLESS OTHERWISE SPECIFIED	FINISH	DRAWN: MCH
SCALE	-	DATE: 3-2-10
NTS	-	CHECKED: -
		DATE: -
		SIZE: 1/2" DRAWING NUMBER:
		JGUN-DSA5

This drawing is the property of The Torc Gun Company and the information thereon is to be treated as confidential. It is not to be used, copied or disclosed to outside parties without our written consent.

WEIGHT	OVERALL LENGTH	SQUARE DRIVE SIZE	MAX SPEED HIGH	MAX SPEED LOW	MAX TORQUE HIGH	MAX TORQUE LOW
	13.64"	1-1/2"			5200	