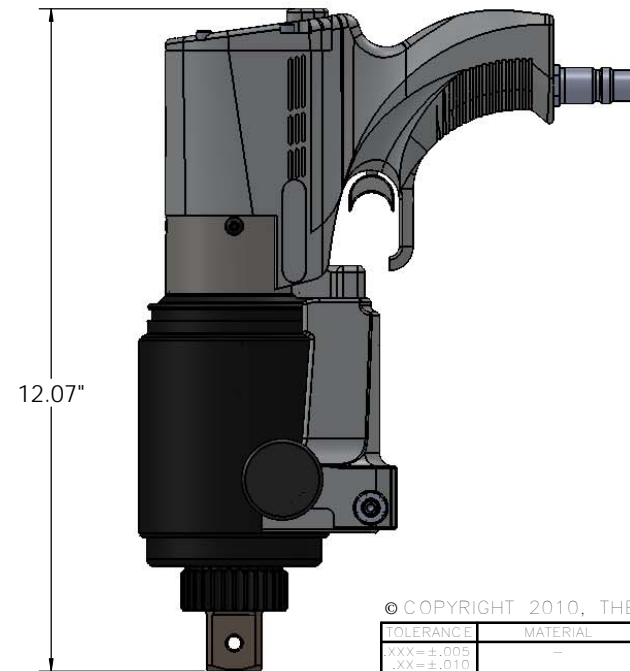
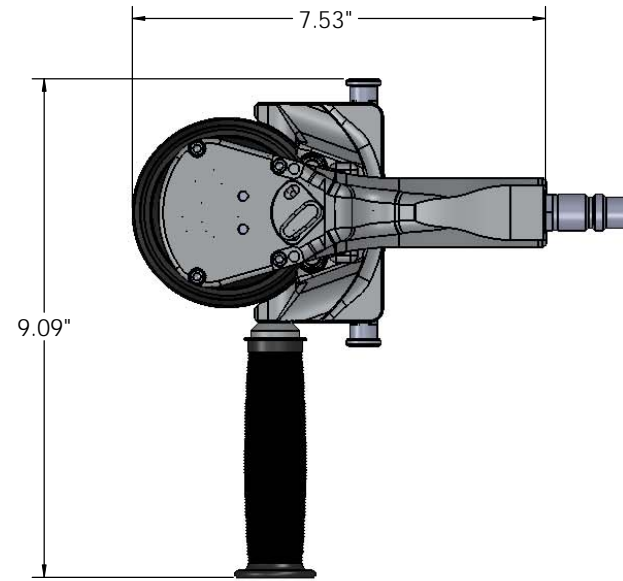
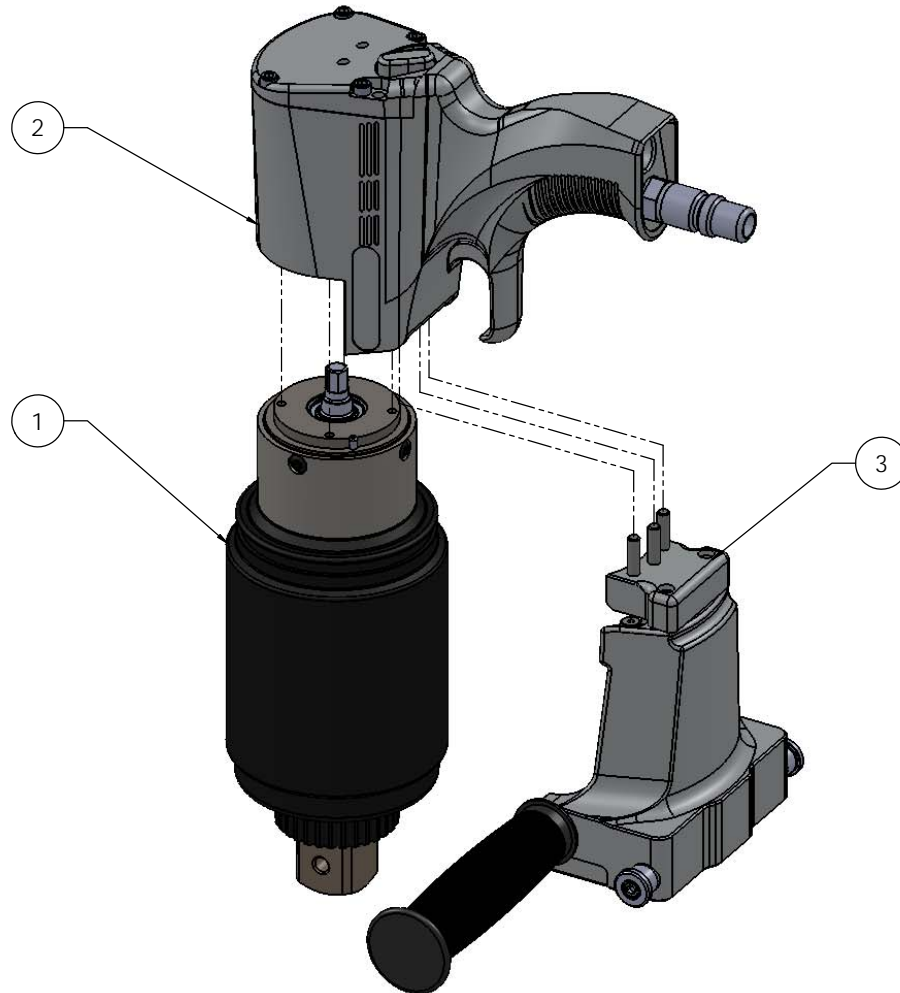


ITEM NO.	PART NUMBER	DESCRIPTION	QTY.
1	A000060	JGB-DSA3	1
2	A000116	HANDLE ASSY, J3DS	1
3	A000117	SHIFTER ASSY, J3DS	1


REVISIONS			
LTR	DESCRIPTION OR ECN No.	APP.	DATE
A	-	-	-
B	-	-	-
C	-	-	-



This drawing is the property of The Torc Gun Company and the information thereon is to be treated as confidential. It is not to be used, copied or disclosed to outside parties without our written consent.

WEIGHT	OVERALL LENGTH	SQUARE DRIVE SIZE	MAX SPEED HIGH	MAX SPEED LOW	MAX TORQUE HIGH	MAX TORQUE LOW
	12.07"	1"			3250	

© COPYRIGHT 2010, THE TORC GUN COMPANY

TOLERANCE	MATERIAL	TITLE: JGB-DSA3		
xxx=±.005	-	ILLUSTRATED PARTS BREAKDOWN		
.xx=±.010	-			
x/xx=±1/64	-			
* = ±1"	-	FINISH	DRAWN: MCH	CHECKED: -
UNLESS OTHERWISE SPECIFIED	-	SCALE	DATE: 3-2-10	DATE: -
	-	NTS	SIZE	DRAWING NUMBER:
	-		C	JGUN-DSA3