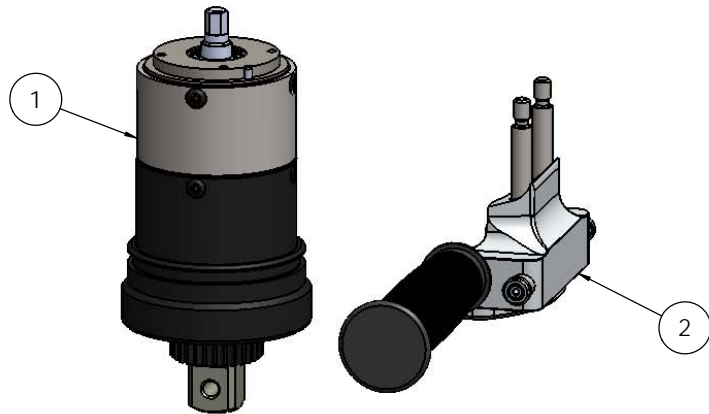
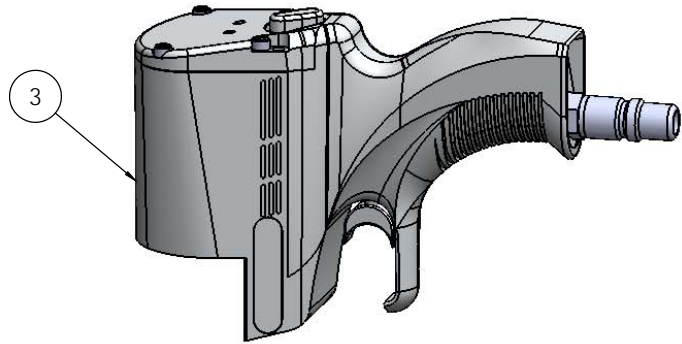
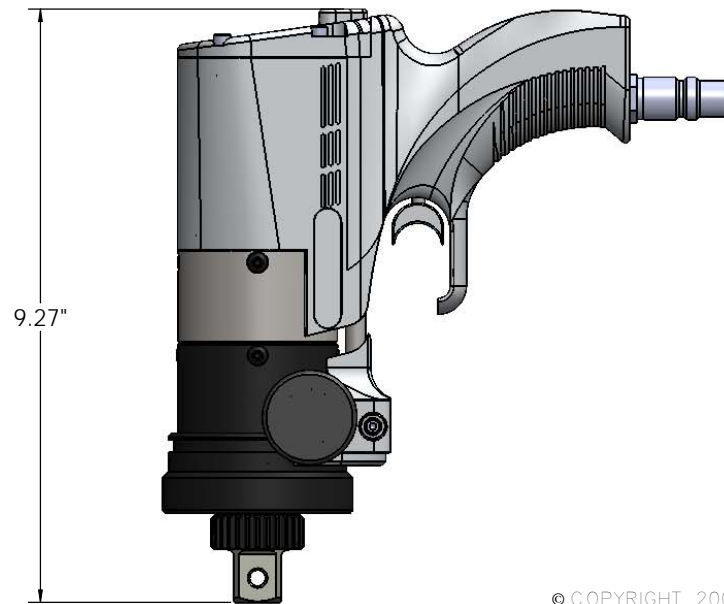
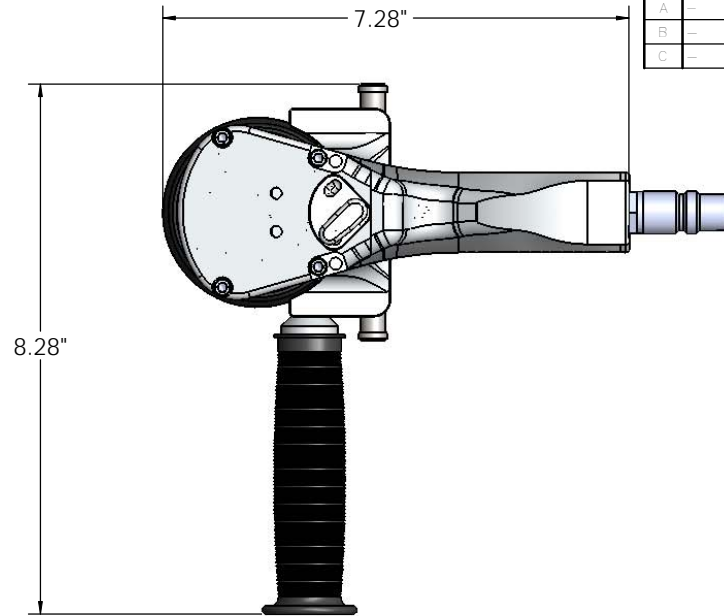


ITEM NO.	PART NUMBER	DESCRIPTION	QTY.
1	A000026	JGBA-A1	1
2	A000086	SHIFTER ASSY, J1DS	1
3	A000085	HANDLE ASSY, J1DS	1

REVISIONS			
LTR	DESCRIPTION OR ECN No.	APP.	DATE
A	-	-	-
B	-	-	-
C	-	-	-



© COPYRIGHT 2009, THE TORC GUN COMPANY

TOLERANCE	MATERIAL	TITLE: JGUN-DSA1	
xxx=±.005	-	ILLUSTRATED PARTS BREAK-DOWN	
.xx=±.010	-		
x/xx=±1/64	-		
* = ±1"	-	DRAWN: MCH	CHECKED: MCH
UNLESS OTHERWISE SPECIFIED	FINISH	DATE: 2-22-10	DATE: -
SCALE	-	DRAWING NUMBER:	
NTS	-	C JGUN-DSA1	

This drawing is the property of The Torc Gun Company and the information thereon is to be treated as confidential. It is not to be used, copied or disclosed to outside parties without our written consent.

WEIGHT	OVERALL LENGTH	SQUARE DRIVE SIZE	MAX SPEED HIGH	MAX SPEED LOW	MAX TORQUE HIGH	MAX TORQUE LOW
	9.27"	3/4"			1250	